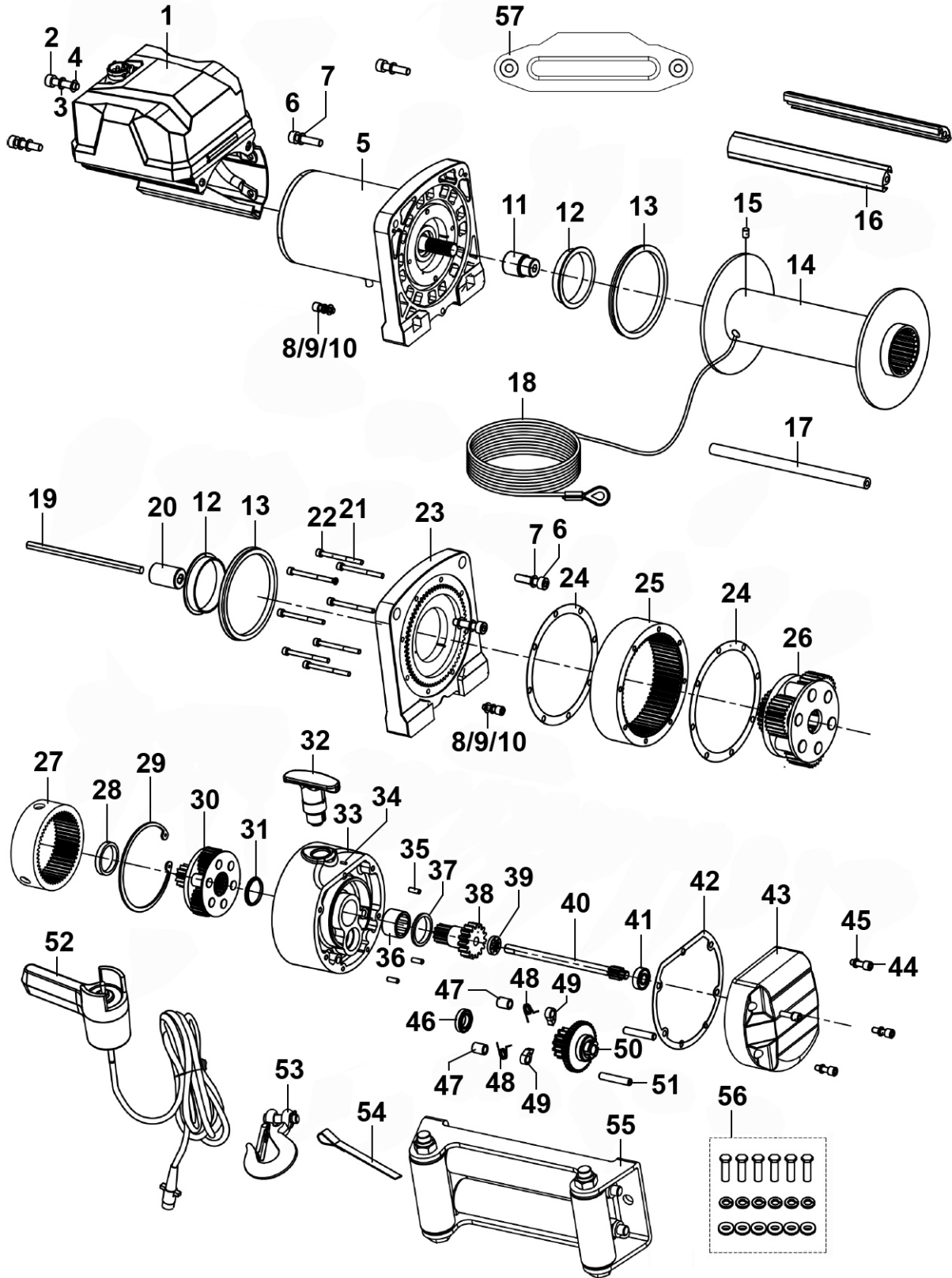




Parts Information:
Recovery Winch 5675kg (12500lb) Line
Pull 12V Industrial
Model No: RW5675.V2



NOTE: It is our policy to continually improve products and as such we reserve the right to alter data, specifications and component parts without prior notice. There may be alternative versions of this product, please contact us should you require this information.

IMPORTANT: No liability is accepted for incorrect use of product. Spare parts must be fitted by a competent person

WARRANTY: Guarantee is 12 months from purchase date, proof of which will be required for any claim.

Sealey Group, Kempson Way, Suffolk Business Park, Bury St Edmunds, Suffolk. IP32 7AR



01284 757500



01284 703534



sales@sealey.co.uk



www.sealey.co.uk



Parts Information:
Recovery Winch 5675kg (12500lb) Line
Pull 12V Industrial
Model No: RW5675.V2

Item	Part No.	Description
1	RW5675.V2-01	Control Box
2	SS620.S	Hex Head Set Screw M6 X 20 Zinc
3	SWM6.SB	Spring Washer M6 Black
4	FWM6.SB	Flat Washer M6 Black
5	RW5675.V2-05	Electric Motor Assembly
6	SS825.S	Hex Head Set Screw M8 X 25 Zinc
7	SWM8.SB	Spring Washer M8 Black
8	SS625.S	Hex Head Set Screw M6 X 25 Zinc
9	SWM6.SB	Spring Washer M6 Black
10	FWM6.SB	Flat Washer M6 Black
11	RW5675.V2-11	Motor Connector
12	RW5675.V2-12	Drum Bushing
13	RW5675.V2-13	Seal Ring
14	RW5675.V2-14	Drum
15	GSM88.S	Grub Screw M8x8 (Single)
16	RW5675.V2-16	Tie Rod
17	RW5675.V2-17	Tie Rod (Round)
18	RW5675.V2-18	Wire Rope
19	RW5675.V2-19	Hex Shaft
20	RW5675.V2-20	Shaft Connector
21	SS560.S	Hex Head Set Screw M5 X 60 Zinc
22	SWM5.SB	Spring Washer M5 Black
23	RW5675.V2-23	Frame For Gearbox
24	RW5675.V2-24	Seal (a)
25	RW5675.V2-25	Gear ring (Large)
26	RW5675.V2-26	4th Planetary Gear Assembly
27	RW5675.V2-27	Gear Ring (Small)
28	RW5675.V2-28	Nylon Washer (c)

Item	Part No.	Description
29	RW5675.V2-29	Retaining Ring For Bores 145mm
30	RW5675.V2-30	3rd Planetary Gear Assembly
31	RW5675.V2-31	Nylon Washer (d) /
32	RW5675.V2-32	Clutch
33	RW5675.V2-33	Gearbox Frame
34	SS48.S	Hex Head Set Screw M4 X 8 Zinc
35	RW5675.V2-35	Parallel Pins
36	RW5675.V2-36	Bearing HK2520
37	RW5675.V2-37	Nylon Washer (a)
38	RW5675.V2-38	3rd Stage Sun Gear
39	RW5675.V2-39	Nylon Washer (b)
40	RW5675.V2-40	1st Stage Sun Gear
41	B/6000-2RS	Bearing 6000-2rs
42	RW5675.V2-42	Seal (b)
43	RW5675.V2-43	End Bracket
44	SS620.S	Hex Head Set Screw M6 X 20 Zinc
45	SWM6.SB	Spring Washer M6 Black
46	RW5675.V2-46	Ball Bearing 61902
47	RW5675.V2-47	Detent Fix Sleeve
48	RW5675.V2-48	Spring
49	RW5675.V2-49	Detent
50	RW5675.V2-50	Ratchet Wheel Assembly
51	RW5675.V2-51	Parallel Pins
52	RW5675.V2-52	Switch
53	RW5675.V2-53	Hook
54	RW5675.V2-54	Hand Saver Strap
55	RW5675.V2-55	Fairlead Assembly
56	RW5675.V2-56	Hardware Kit

NOTE: It is our policy to continually improve products and as such we reserve the right to alter data, specifications and component parts without prior notice. There may be alternative versions of this product, please contact us should you require this information.

IMPORTANT: No liability is accepted for incorrect use of product. Spare parts must be fitted by a competent person

WARRANTY: Guarantee is 12 months from purchase date, proof of which will be required for any claim.

Sealey Group, Kempson Way, Suffolk Business Park, Bury St Edmunds, Suffolk. IP32 7AR



01284 757500



01284 703534



sales@sealey.co.uk



www.sealey.co.uk